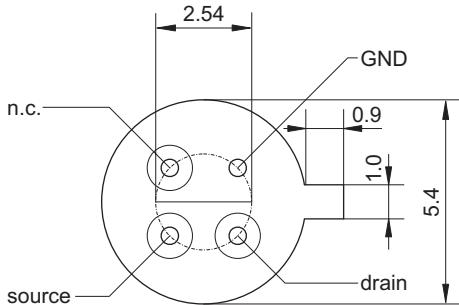
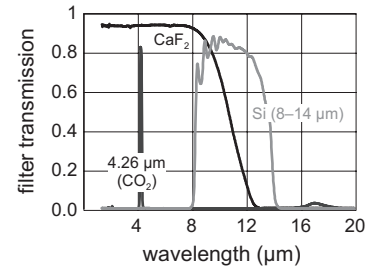
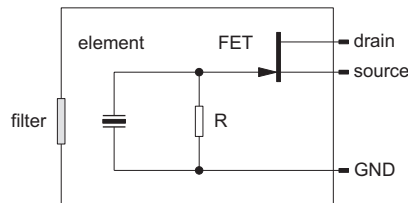
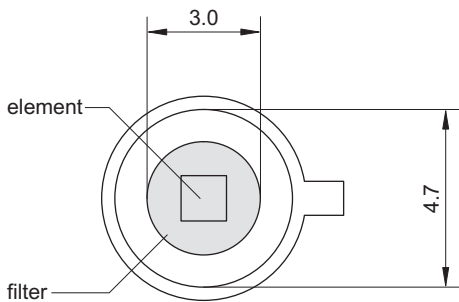
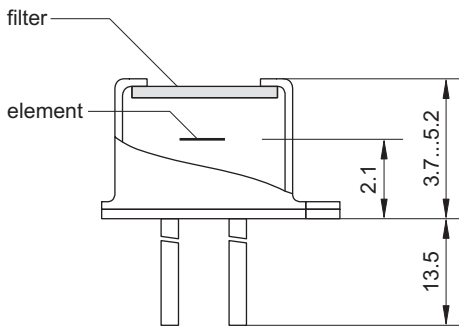


LTA G1.2

Pyroelectric Single Element Detector for Measurement Applications



bottom view

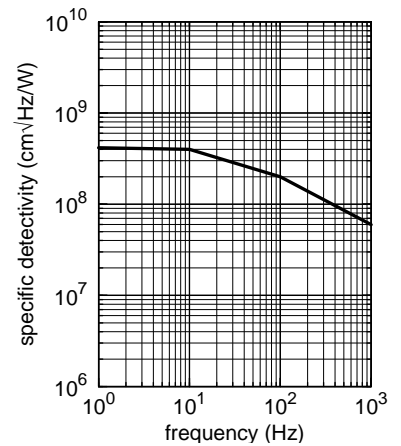
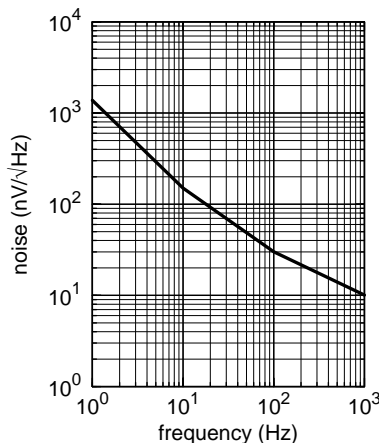
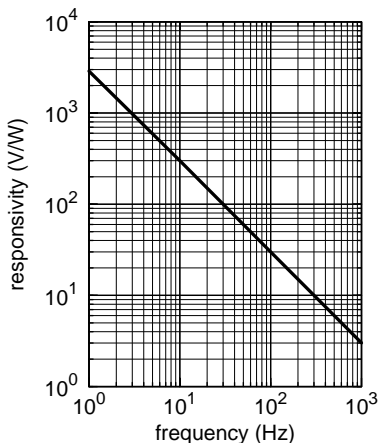


| | |
|-------------------------------------|----------------------------|
| element size | 1.2 mm × 1.2 mm |
| aperture | 3.0 mm |
| filter ³ | custom-designed |
| responsivity ^{1,2} | >900 V/W |
| noise ¹ | <370 nV/√Hz |
| specific detectivity ^{1,2} | >3·10 ⁸ cm√Hz/W |
| offset voltage | 0.4 to 1.5 V |
| operating voltage | 2 to 18 V |
| housing | TO 18 |
| operating temperature | -20 to 70 °C |
| storage temperature | -20 to 70 °C |

1) frequency: 10 Hz, detector temperature: 25 °C

2) black body source temperature: 500 K, filter transmission: 100 %

3) other filters on request



Further developments may entail modifications of indicated data without notification. Revision 05/2005.
04052005 scitec_tag12_eng