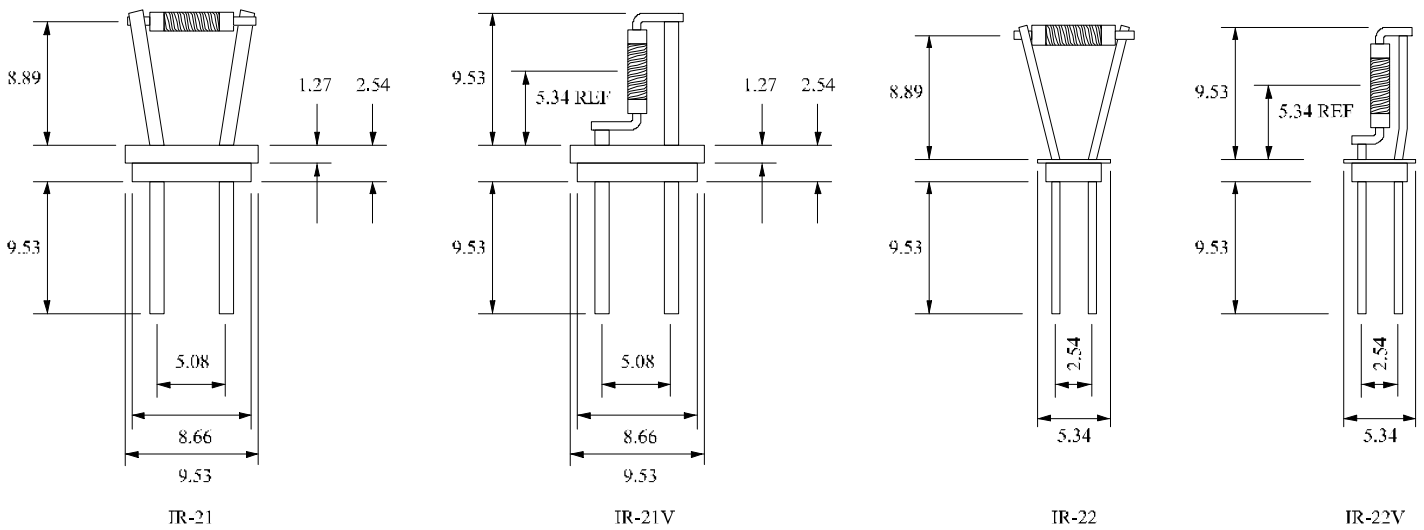


SERIES 20

MINIATURE 4 WATT INFRA-RED EMITTER



This IR source is a thermal emitter with emissivity ~80%. It is appropriate for use in lab or field instrumentation due to its long life and stable properties.

The coiled resistance wire filament operates at 800°C (1075K) when powered. The radiating element is a coil of resistance wire which has a high emissivity in the infra-red spectral region. The coil is wound on a cylindrical alumina substrate.

Operation in a controlled or sealed atmosphere is not required.

The header body is available in two sizes. The larger, IR-21 has 0.2" pitch leads. The smaller, IR-22 has 0.1" pitch leads. The support pins are hermetically sealed in glass.



The IR-21 is compatible with MC-233 elliptical reflector and the MC-234 parabolic reflector.

The Series 20 is offered as follows:

Part #	Description
IR-21	Large header, horizontal element
IR-21V	Large header, vertical element
IR-22	Small header, horizontal element
IR-22V	Small header, vertical element

Operating Specifications:

	IR-21 / IR-21V	IR-22 / IR-22V
Temperature	800°C (1075K)	
Voltage	5.0 volts RMS (AC or DC)	4.5 volts RMS (AC or DC)
Current	0.8 Amps	0.75 Amps
Active Area	1.5 x 3.5 mm	
Emissivity	~80%	
Lifetime	3+ years at 800°C, typical	

Scitec Instruments Ltd
Bartles Industrial Estate
North Street
Redruth
Cornwall TR15 1HR
United Kingdom

t. +44 [0]1209 314608
f. +44 [0]1209 314609
f2. +44 [0]870 1600860
i. www.scitec.uk.com
e. scitec@scitec.uk.com

