

Near-UV Laser Diode Module

375 nm, 15 mW

- Compact collimated laser diode module
- Combines power stability and low noise
- Power controllable up to 15 mW
- Driver electronics and cooling integrated in the module

The Violet-375 offers a collimated optical beam in a compact radial package. Advanced electronics ensure precise temperature and power control, maximizing diode lifetime.

The output power can be adjusted manually or modulated through analog and TTL controls. Its power stability and low-noise characteristics make it ideal for a wide range of applications, namely in fluorescence and sensing. In addition, its compactness allows for easy integration in a variety of environments.

The Violet-375 is available in a "Plug & Play" version, compliant with CE and CDRH safety standards, and including a universal power supply. An "OEM" version system integrators requires a 5V power supply. Holding brackets to help attach the module to a base plate are delivered with each laser.



Optical Parameters	Min.	Nominal	Max.	Unit	Conditions
Wavelength	370	375	380	nm	multi-frequency emission
CW Power		15		mW	
Power Stability			± 1	%	over 8 hours and ± 3 K
Optical Noise			1	%	rms, 10 Hz - 2 MHz
Beam Diameter (elliptical) ¹		1.5 x 2.5		mm	at 50 mm from aperture
Beam Divergence (elliptical) ¹			0.6	mrad	1/e ² , full angle, in far field

¹ Due to the uncorrected ellipticity of the laser diode, the beam will evolve or can be focused onto a near circular spot.

Violet-375

Oxxius S.A.
4, rue Louis de Broglie
F-22300 Lannion
France
Call: +33 2 9648 5371
Mail: sales@oxxius.com

Oxxius, Inc.
1800 Wyatt Drive, Suite 8
Santa Clara, CA 95054
U.S.A
Call: +1 (408) 426-8021
Mail: sales.us@oxxius.com

www.oxxius.com

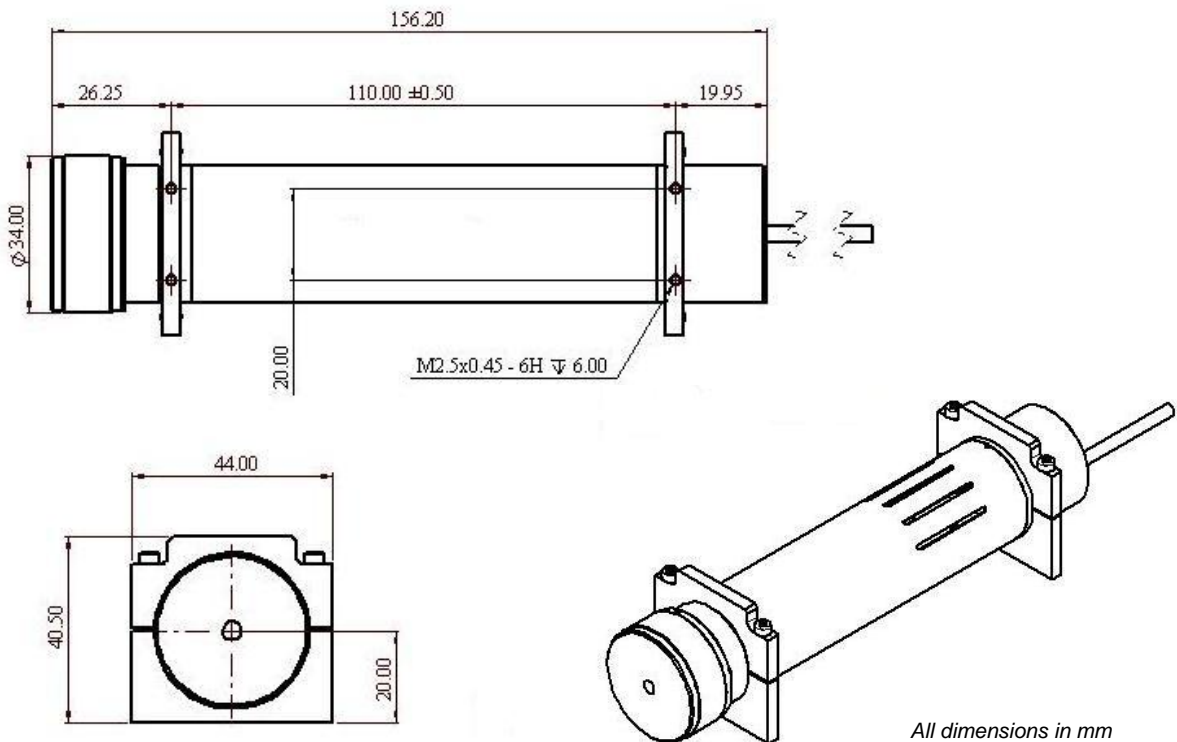
Violet-375

System Parameters	Min.	Nominal	Max.	Unit	Conditions
Laser Head					
Ambient Temperature	10		40	°C	operation range
Power Consumption		2.5	10	W	OEM version
Start-up Time		1		min	(turn-on delay)
External Control Interface					
TTL Modulation		5 / 2		µs	rise / fall time
Analog Modulation		100		kHz	-3 dB cutoff frequency
Power Supply Requirements					
Input Voltage	4.8		6	V	ripple < 1%
Input Current			2	A	
Dimensions, OEM Version					
Plug & Play Version		150 x 30		mm ³	L x Ø
		156 x 34		mm ³	L x Ø
Weight		250		g	

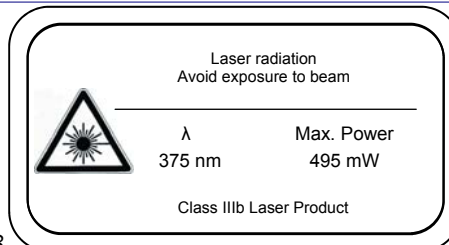
Maximum Environmental Ratings

Storage Temperature	-20		60	°C	non operational
Relative Humidity	10		90	%	non condensing
Resistance to Shock			25	G	11 ms duration
Resistance to Vibration			2.5	G	sinusoidal, 10 to 500 Hz

Mechanical Drawing of Laser Module (PP Version with Manual Shutter)



OXX lasers are registered with FDA. Accession numbers: 07200339 (Plug & Play version), 07R0452-000 (OEM version).
 Oxxius has a policy of sequential product improvement. Specifications may change without notice.



Oxxius

www.oxxius.com