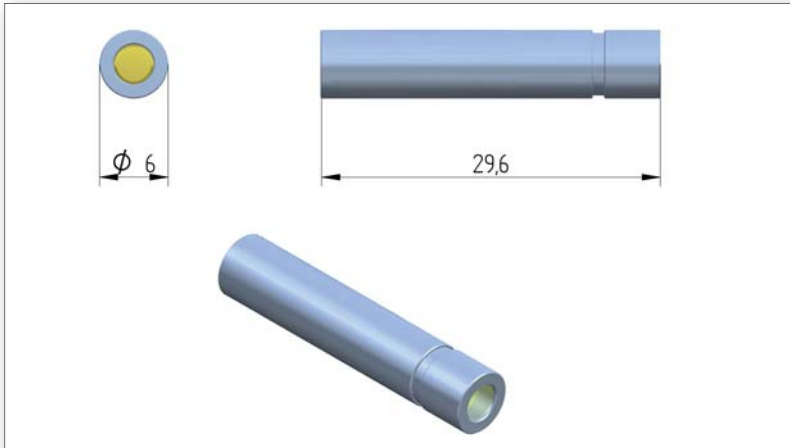


ZB

Laser with \varnothing 6mm

Z-LASER

- Smallest hand focusable dot laser
- Smallest line laser with non-Gaussian light distribution



Specifications

Output Power/Wavelength	1 to 5mW, 635nm +/- 10nm, other wavelength upon inquiry
Housing/IP code	stainless steel / IP 40
Case temperature	-10 to +40°C (dependent on the laser diode used, range may be wider)
Supply voltage	4 to 6VDC
Electrical connection	2m cable with Texas connector, option: cable up to 2m with end splice

Electronics

Laser driver	APC with current limiter
Supply	reverse polarity protection, + voltage on housing, isolated mounting required
Modulation	none
Intensity control	none
Available optics	dot (-pe), line (-lr40)
Free focus option	only dot version

Accessories*

Power Supply	SNG, NG CW-HD-3.5
Mountings	none
Auxiliary mountings	none
Manual or motor driven displacement systems	none
Accessories for optics	LZB

* for details please refer to detailed data sheets

DB_e_LL_ZB_1.0_161107_MS

Z-LASER Optoelektronik GmbH • Merzhauser Str. 134 • 79100 Freiburg • Germany
Tel.: +49/761/296 44 44 • Fax: +49/761/296 44 55 • info@z-laser.de • www.z-laser.com

08/2007