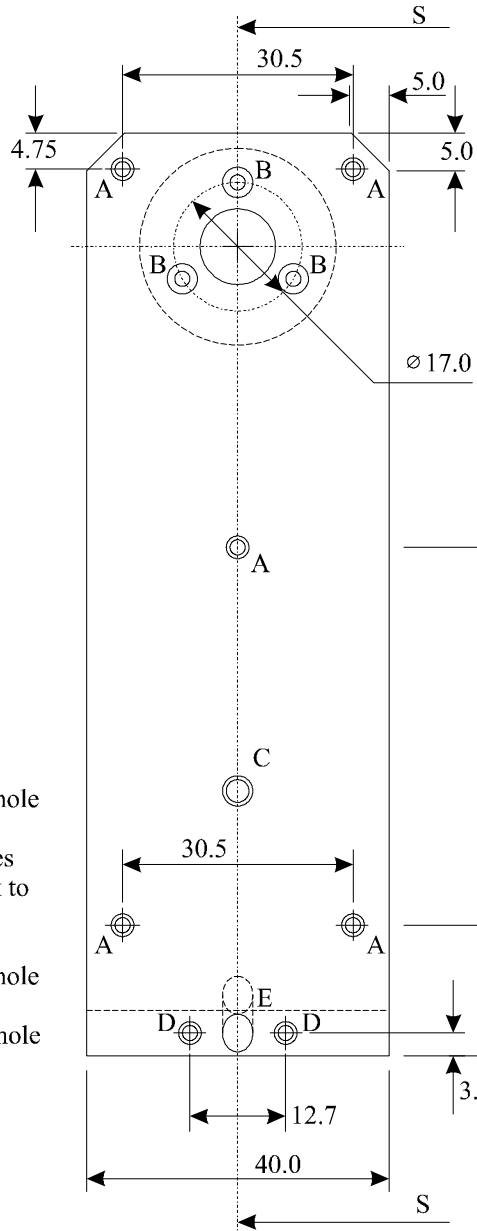


FRONT VIEW



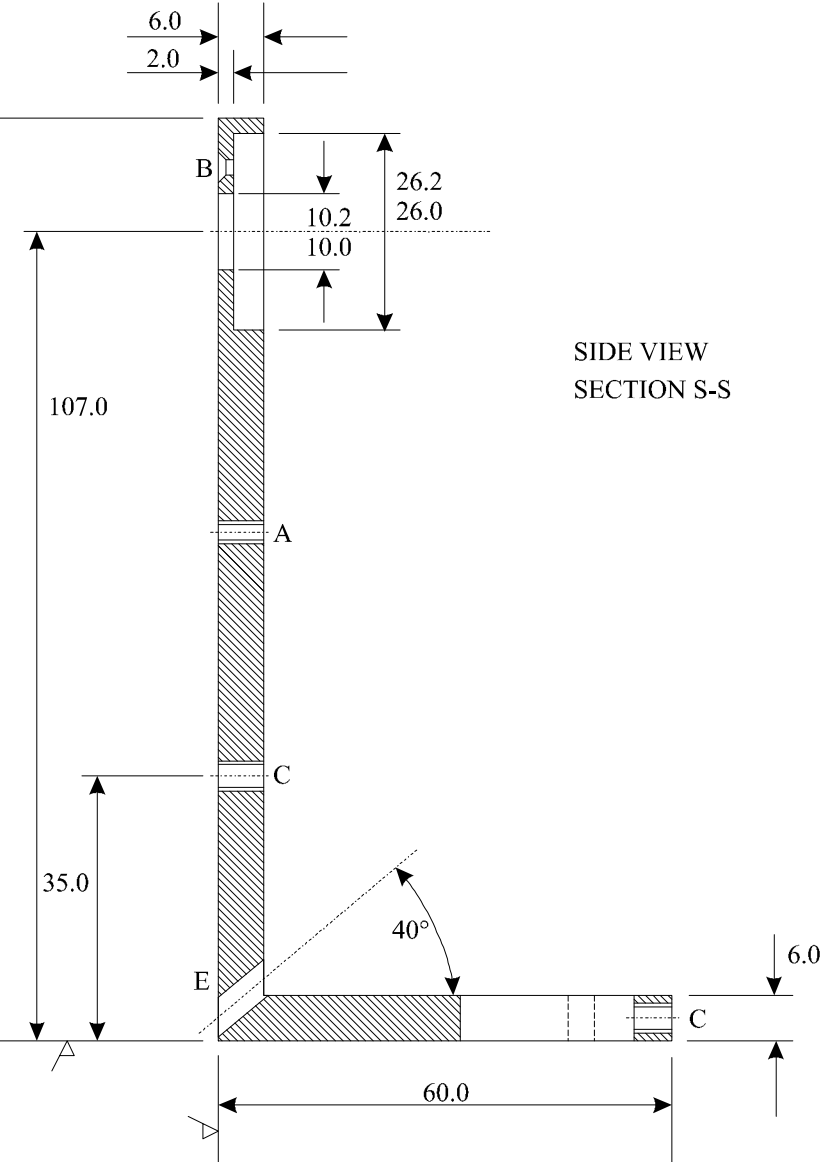
A = 5 off M3x0.5 threaded hole

B = 3 off 2.15 diameter holes  
equispaced and countersunk to  
a diameter of 4.0

C = 2 off M4x0.5 threaded hole

D = 2 off M3x0.5 threaded hole  
to a minimum depth of 10.0

E = 1 off 4.0 diameter hole



SIDE VIEW  
SECTION S-S

Tolerance  $\pm 0.2$  unless otherwise stated All dimensions in mm

ISSUE A : 21/10/97 - CB BATHE

ISSUE B : 9/4/01 - CB BATHE

THIS DRAWING IS THE CONFIDENTIAL AND  
COPYRIGHT PROPERTY OF SCITEC INSTRUMENTS  
LTD. AND MUST NOT BE DISCLOSED, LOANED OR  
COPIED FOR MANUFACTURING, TENDERING OR  
FOR ANY OTHER PURPOSE WITHOUT THEIR  
WRITTEN PERMISSION

DRAWN BY: C B Bathe

DRAWING No.: 300-66

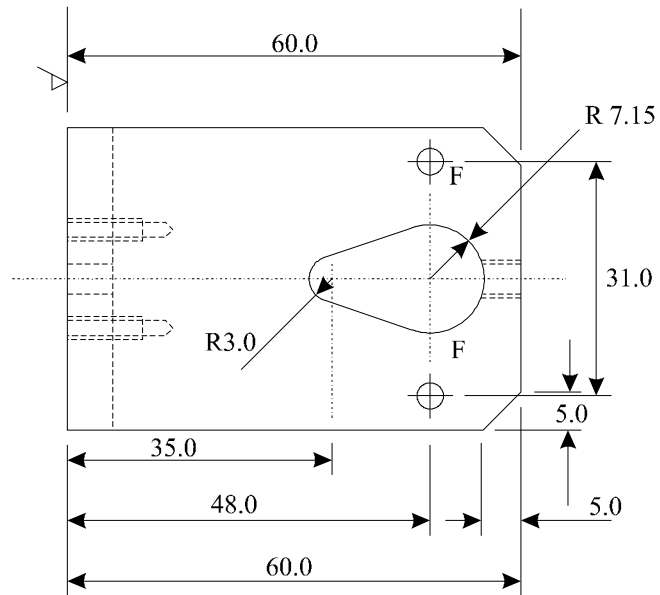
TITLE: 300H Specail L Bracket for 200mm Blade

SHEET 1 OF 2

**SCITEC INSTRUMENTS LTD**

BOTTOM VIEW

F = 2 off 3.5 diameter hole



Tolerance  $\pm 0.2$  unless otherwise stated All dimensions in mm

ISSUE A : 21/10/97 - CB BATHE  
ISSUE B : 9/4/01 - CB BATHE

THIS DRAWING IS THE CONFIDENTIAL AND COPYRIGHT PROPERTY OF SCITEC INSTRUMENTS LTD. AND MUST NOT BE DISCLOSED, LOANED OR COPIED FOR MANUFACTURING, TENDERING OR FOR ANY OTHER PURPOSE WITHOUT THEIR WRITTEN PERMISSION

DRAWN BY: C B Bathe

DRAWING No.: 300-66

TITLE: 300H Specail L Bracket for 200mm Blade

SHEET 2 OF 2

**SCITEC INSTRUMENTS LTD**